



heatilator®
The first name in fireplaces.

Caliber nXt
direct vent gas fireplaces

Caliber nXt

direct vent gas fireplaces



Cover: Caliber nXt shown with contour front in bronze and traditional refractory.

Left: Caliber nXt shown with biltmore mantel, phoenix retreat front in black and herringbone refractory.

Authentic Style, Proven Value

The Caliber nXt delivers high-efficiency heating and traditional ambiance. Realistic logs and bold flames fill the large viewing area with a beautiful, roaring fire. Proven Direct Vent technology and the IntelliFire™ Plus Ignition System bolster safety—and heating power. A standard fan helps distribute heat evenly, and multiple fronts and finishes accent any home with style.



- 36" or 42" viewing area
- Textured brick interior enhances flames and glowing embers
- Multiple venting options provide placement flexibility
- Optional Heat Zone kit routes heated air to other areas of the home

IntelliFire™ Plus Ignition System

The IntelliFire™ Plus Ignition System (IPI Plus) is an advanced intermittent pilot ignition system with memory settings and a programmable wireless control. IPI Plus constantly monitors ignition, ensures safe functioning and conserves up to \$10/month in energy costs.



To learn more, scan the code with your smartphone, or visit heatilator.com.

Direct Vent Technology

Direct Vent fireplaces remove 100% of combustion exhaust and odors outside of the home. These sealed fireplaces provide optimal heat, conserve energy and ensure clean, safe indoor air quality.



To learn more, scan the code with your smartphone, or visit heatilator.com.

Options

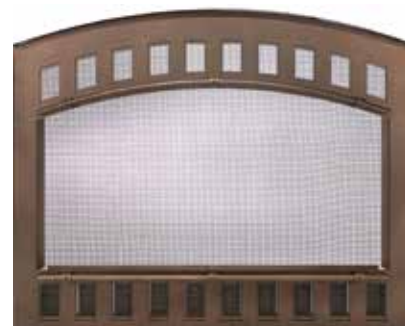
Fronts & Doors



Phoenix Retreat (Black or Bronze)



Arts & Crafts (Black or Bronze)



Contour (Black or Bronze)



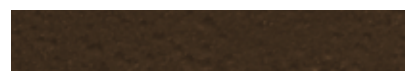
Jamestown (Black)



Simon (Black)



Black



Bronze

Refractory Options

Choose a standard refractory in traditional or herringbone styles.



Traditional Refractory



Herringbone Refractory

Standard Controls

IntelliFire Plus RC300 The RC300 is specifically designed for use with the IntelliFire Plus Ignition System, and comes standard with the Caliber nXt. This wireless control offers flexibility to either mount on the wall or use as a remote.

Models: RC300-HTL

Features: On/Off, Auto Battery Backup, Pilot Activation, 5 Step Flame Height, Fan Speed (auxiliary 1), two additional Auxiliary Functions, Room Temperature Readout, Thermostat Mode, Timer Mode, Child Lock, Wall Docking Station



Additional Options Not Pictured

- Heat Zone kit
- Gas Conversion Kits
- Mantels and Surrounds

Venting

- Direct Vent: DVP pipe & SLP pipe

Models Available

MODEL	BTU/HR INPUT(NG)	OPENING SIZE
CNXT4236IT/H-C	23,000 - 40,000	36" (914mm)
CNXT4842IT/H-C	25,000 - 45,000	42" (1067mm)

U.S. Efficiencies

Steady State - Since most homeowners use their fireplaces for an extended time while they are in the room, Steady State measures how efficiently your fireplace converts fuel to heat once it is warmed up and running in a "steady state".

AFUE - AFUE rating is more typically used with appliances, like your furnace, that continually cycle on and off to maintain a constant temperature.

Canada Efficiencies

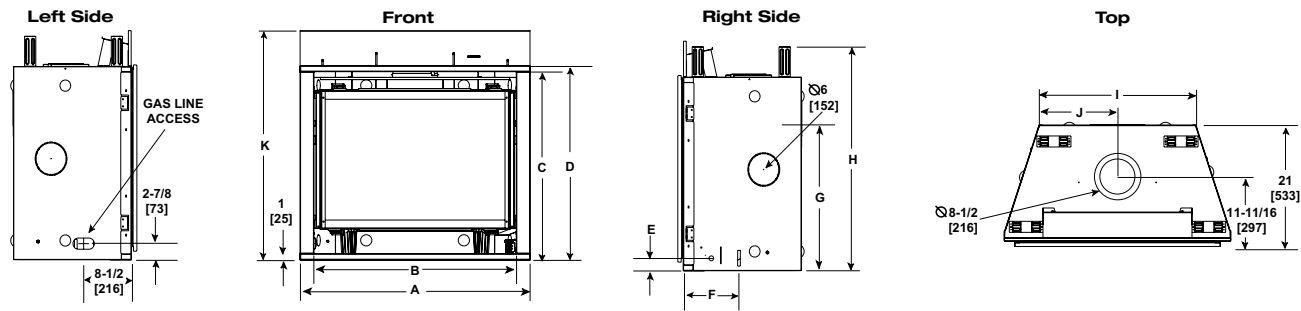
EnerGuide (CSA P.4.1-02) - EnerGuide is a rating used in Canada to measure annual fireplace efficiency.

Rating	CNXT4236IT/H-C	CNXT4236ILT/H-C	CNXT4842IT/H-C	CNXT4842ILT/H-C
Steady State	78%	78%	84%	84%
AFUE	65%	67%	66%	68%

Rating	CNXT4236IT/H-C	CNXT4236ILT/H-C	CNXT4842IT/H-C	CNXT4842ILT/H-C
EnerGuide (CSA P.4.1-02)	67%	69%	68%	71%

Technical Specifications

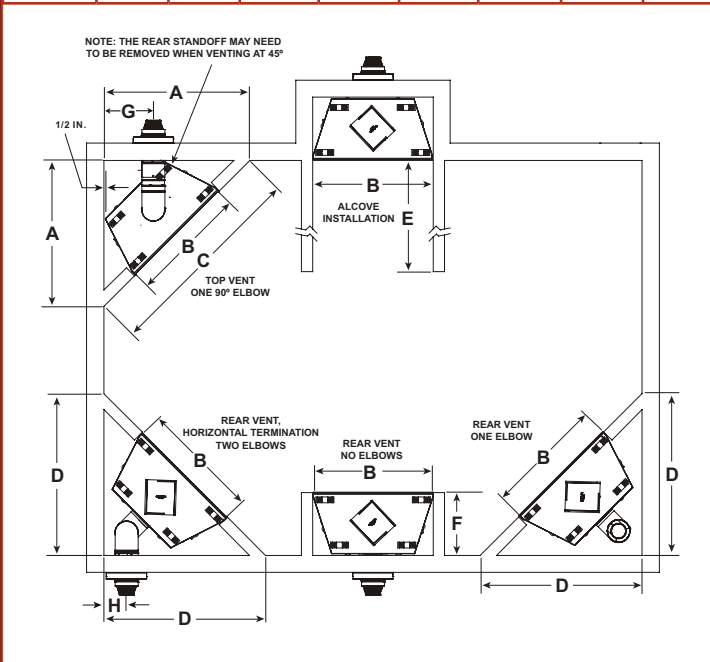
MODEL	FRONT WIDTH (A)	BACK WIDTH (I)	HEIGHT (H)	DEPTH	GLASS SIZE
CNXT4236	41" (1041mm)	28-1/2" (724mm)	39-7/8" (1013mm)	21" (533mm)	35" x 24-1/8" (889mm x 613mm)
CNXT4842	48" (1219mm)	35-1/2" (901mm)	41-7/8" (1064mm)	21" (533mm)	42" x 26-1/8" (1067mm x 664mm)



MODEL	A	B	C	D	E	F	G	H	I	J	K
CNXT4236	41" (1041mm)	36-1/8" (918mm)	33-1/2" (851mm)	34-5/8" (879mm)	2-1/4" (57mm)	9-11/16" (246mm)	26-7/8" (683mm)	39-7/8" (1013mm)	28-1/2" (724mm)	14-1/4" (362mm)	40-7/8" (1038mm)
CNXT4842	48" (1219mm)	43-1/8" (1096mm)	34-3/8" (873mm)	36-5/8" (930mm)	2-3/8" (60mm)	9-15/16" (252mm)	28-7/8" (734mm)	41-7/8" (1064mm)	35-1/2" (901mm)	17-3/4" (451mm)	42-7/8" (1089mm)

Clearances

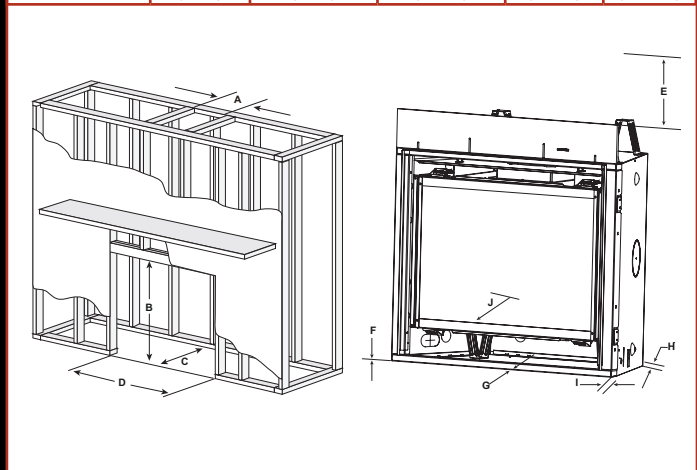
MODEL	A	B	C	D	E	F	G	H
CNXT4236	51" (1295mm)	42" (1067mm)	72" (1829mm)	56-5/8" (1438mm)	See Inst. Manual	22" (559mm)	17-3/4" (451mm)	8" (203mm)
CNXT4842	55-7/8" (1419mm)	49" (1245mm)	79" (2007)	61-1/2" (1562mm)	See Inst. Manual	22" (559mm)	19-3/4" (502mm)	10" (254mm)



Framing

MODEL	A ROUGH OPENING (WIDTH)	B ROUGH OPENING (HEIGHT)	C** ROUGH OPENING (DEPTH)	D ROUGH OPENING (WIDTH)	E CLEARANCE TO CEILING
CNXT4236	10" (254mm)	40-1/8" (1019mm)	22" (559mm)	42" (1067mm)	25" (635mm)
CNXT4842	10" (254mm)	42-1/8" (1019mm)	22" (559mm)	49" (1245mm)	25" (635mm)

MODEL	F COMBUSTIBLE TO FLOOR	G COMBUSTIBLE FLOORING	H BEHIND APPLIANCE	I SIDES OF APPLIANCE	J FRONT OF APPLIANCE
CNXT4236	0" (0mm)	0" (0mm)	1/2" (13mm)	1/2" (13mm)	36" (914mm)
CNXT4842	0" (0mm)	0" (0mm)	1/2" (13mm)	1/2" (13mm)	36" (914mm)



The rough framing dimensions shown represent the distance from stud to stud only and do not take into consideration the addition of drywall. Please refer to installation instructions for complete specifications and drawings when installing this product. Go to heatilator.com to download.

Available From

heatilator
The first name in fireplaces

a brand of
Hearth & Home Technologies®

1915 West Saunders Street
Mt. Pleasant, Iowa 52641
800-927-6841 | heatilator.com

[facebook.com/Heatilator](https://www.facebook.com/Heatilator)
twitter.com/Heatilator
[youtube.com/HeatilatorFireplaces](https://www.youtube.com/HeatilatorFireplaces)

HTL-1014U-1013

Limited Lifetime Warranty*

The strongest in the industry, Heatilator provides a limited lifetime warranty on gas-burning products of the most important aspects: firebox and heat exchanger.

*For full warranty details go to heatilator.com.

The information provided in this literature is for planning purposes only and subject to change. Please consult the installation manual for actual installation. Actual product appearance may differ from product images.

Fireplace glass and other surfaces get extremely HOT and can cause severe burns if touched. Do not remove the protective safety screen from the front of the glass. Keep a safe distance away. To learn more visit: www.heatilator.com/fireplacesafety.

Canada

ENERGUIDE

Look for the EnerGuide Gas Fireplace Energy Efficiency Rating in this brochure

Based on CSA P.4.1-02

