

heatilator[®]
The first name in fireplaces



Novus Evolution
direct vent gas fireplaces

Novus Evolution

direct vent gas fireplaces



Cover: Novus Evolution-36 shown with clear glass media, cinema front in black and custom granite.

Right: Novus Evolution-30 shown with blue cobalt glass media and cinema front in stainless steel with finish trim piece.

The Next Generation of Value

The Novus Evolution is the latest generation of the best-selling gas fireplace of all time. This modern unit blends fashionable style with advanced technology. A sleek design lets the Evolution's clean lines and contemporary elements shine. A porcelain interior and unique glass media highlight artistic flames.

Experience the latest Evolution of proven Heatilator value.

Features

- 30" or 36" viewing area
- Multiple media, front and finishing options
- Reflective porcelain interior
- Adjustable flame and heat intensity levels

IntelliFire™ Plus Ignition System

The IntelliFire™ Plus Ignition System (IPI Plus) is an advanced intermittent pilot ignition system with memory settings and a programmable wireless control. IPI Plus constantly monitors ignition, ensures safe functioning and conserves up to \$10/month in energy costs.



To learn more, scan the code with your smartphone, or visit heatilator.com.

Direct Vent Technology

Direct Vent fireplaces remove 100% of combustion exhaust and odors outside of the home. These sealed fireplaces provide optimal heat, conserve energy and ensure clean, safe indoor air quality.



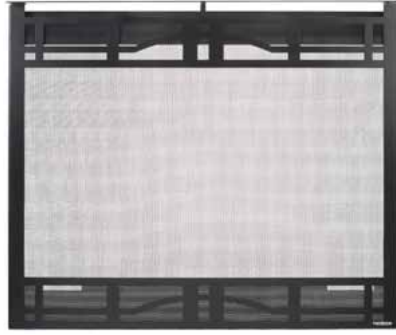
To learn more, scan the code with your smartphone, or visit heatilator.com.

Options

Fronts

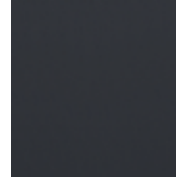


Cinema Front
(shown with optional finishing trim)



Demi Front

Front Finishes



Black



Stainless Steel
(Available on Cinema front and finishing trim only)



Bronze
(Available on Demi front only)

Glass Media

Accent your flames with one of four glass colors.



Clear (Included)



Black



Cobalt Blue



Amber

Control Options

IntelliFire Plus RC300 This remote control is designed to wirelessly control the Evolution. A large LCD screen and simple navigation provide easy operation. The RC300 can also be docked on the wall to mimic a thermostat, or used as a remote.

Models: RC300-HTL

Features: Auto Battery Backup, Pilot Activation, On/Off, 5 Step Flame Height, Fan Speed (auxiliary 1), two additional Auxiliary Functions, Room Temperature Readout, Thermostat Mode, Timer Mode, Child Lock and Wall Docking Station



IntelliFire Plus RC200 This remote control is designed to wirelessly control the Evolution. The RC200 can also be docked on the wall to mimic a thermostat, or used as a remote.

Models: RC200-HTL

Features: Auto Battery Backup, Battery Strength Indicator, Pilot Activation, On/Off, 5 Step Flame Height, Fan Speed, Child Lock, and Wall Docking Station



IntelliFire Plus RC100 This wall switch is designed exclusively for Heatilator fireplaces with the IntelliFire ignition system.

Models: RC100-HTL

Features: On/Off



Easy Switch Controls the most basic functions of the fireplace—on/off—in the easiest way possible.

Models: WSK-21-HTI, WSK-21-W-HTI

Features: On/Off



Models* Available

MODEL	BTU/HR INPUT(NG)	OPENING SIZE	VENTING	IGNITION SYSTEM	FUEL
NEVO3630I	10,000 - 20,000	30" (762mm)	Direct Vent	IntelliFire Plus	NG (standard) / LP*
NEVO4236I	12,500 - 25,000	36" (914mm)	Direct Vent	IntelliFire Plus	NG (standard) / LP*

U.S. Efficiencies

Steady State - Since most homeowners use their fireplaces for an extended time while they are in the room, Steady State measures how efficiently your fireplace converts fuel to heat once it is warmed up and running in a "steady state".

AFUE - AFUE rating is more typically used with appliances, like your furnace, that continually cycle on and off to maintain a constant temperature.

Canada Efficiencies

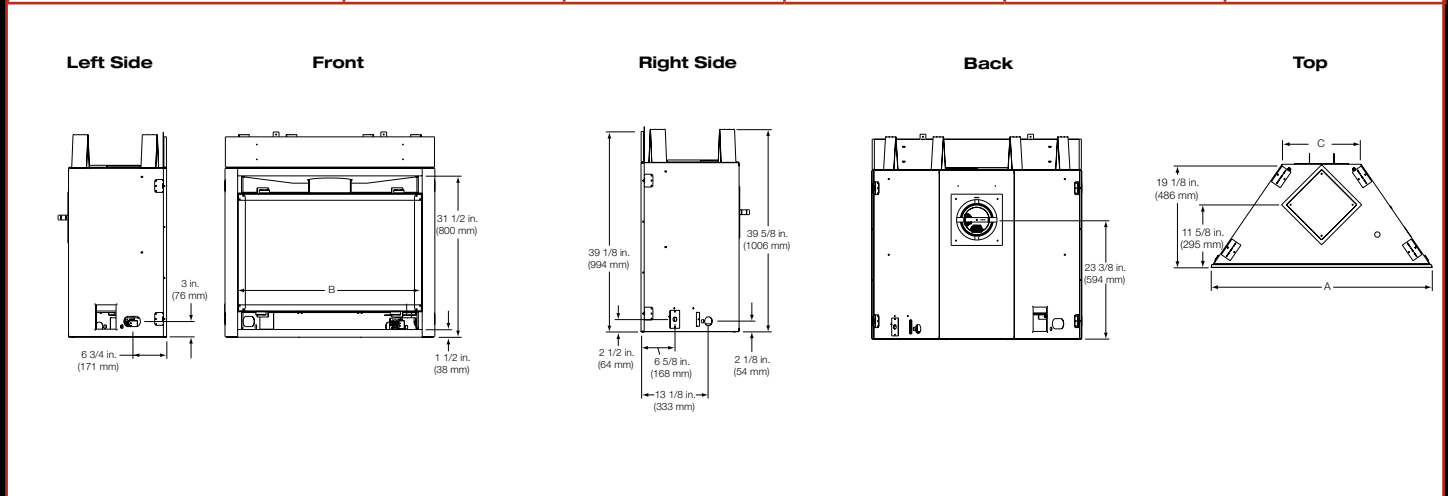
EnerGuide (CSA P.4.1-02) - EnerGuide is a rating used in Canada to measure annual fireplace efficiency.

Rating	NEVO3630I	NEVO4236I
Steady State	68.5%	71%
AFUE	53%	54%

Rating	NEVO3630I	NEVO4236I
EnerGuide (CSA P.4.1-02)	54%	58%

Technical Specifications

MODEL	FRONT WIDTH (A)	BACK WIDTH (C)	HEIGHT	DEPTH	GLASS SIZE (B)
NEVO3630I	35" (889mm)	8-5/8" (219mm)	39-1/8" (994mm)	19-1/8" (486mm)	30"w x 22-5/8"h
NEVO4236I	41" (1041mm)	14-5/8" (371mm)	39-1/8" (994mm)	19-1/8" (486mm)	36"w x 22-5/8"h

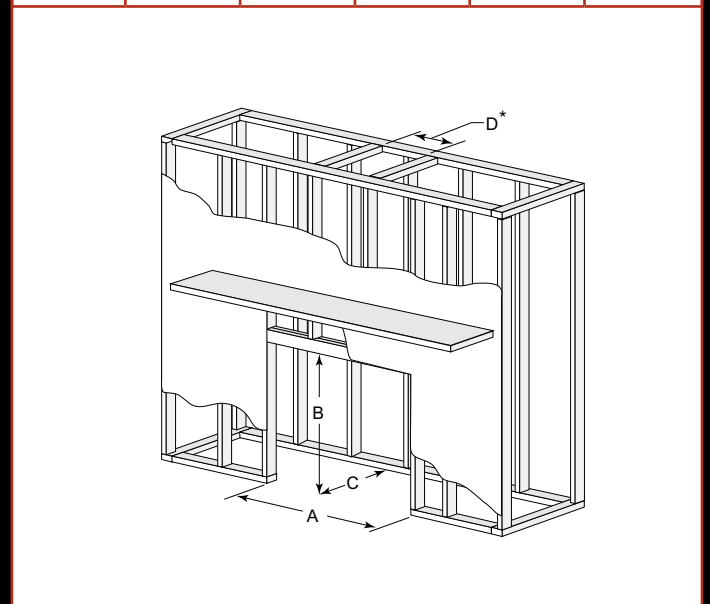
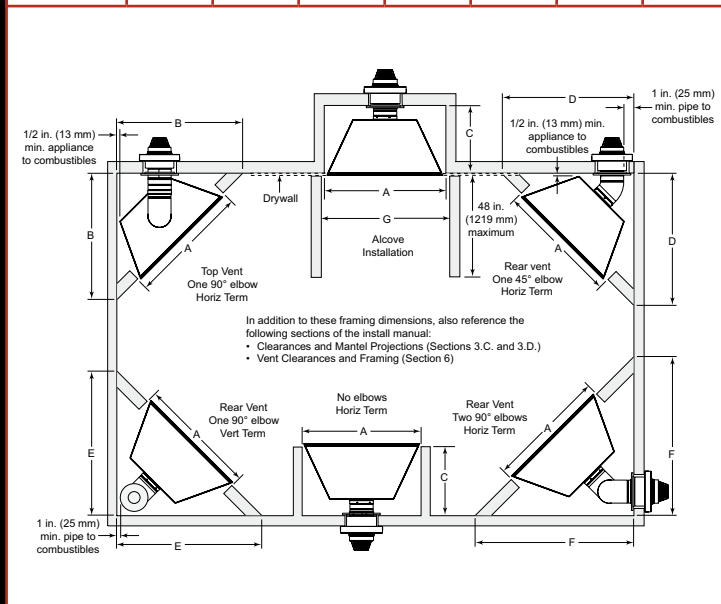


Clearances

MODEL	A	B	C	D	E	F	G
NEVO3630I	36" (914mm)	33-1/2" (851mm)	19-5/8" (498mm)	43-3/8" (1102mm)	47" (1194mm)	53-1/4" (1353mm)	37" (940mm)
NEVO4236I	42" (1067mm)	37-5/8" (956mm)	19-5/8" (498mm)	43-3/8" (1102mm)	47" (1194mm)	53-1/4" (1353mm)	43" (1092mm)

Framing

MODEL	A ROUGH OPENING (WIDTH)	B ROUGH OPENING (HEIGHT)	C ROUGH OPENING (DEPTH)	D ROUGH OPENING (DVP PIPE)	D ROUGH OPEN- ING (SLP PIPE)
NEVO3630I	36" (914mm)	39-7/8" (1013mm)	19-5/8" (498mm)	10" (254mm)	9" (229mm)
NEVO4236I	42" (1067mm)	39-7/8" (1013mm)	19-5/8" (498mm)	10" (254mm)	9" (229mm)



The rough framing dimensions shown represent the distance from stud to stud only and do not take into consideration the addition of drywall. Please refer to installation instructions for complete specifications and drawings when installing this product. Go to heatilator.com to download.

Available From

heatilator
The first name in fireplaces

a brand of
Hearth & Home Technologies®

1915 West Saunders Street
Mt. Pleasant, Iowa 52641
800-927-6841 | heatilator.com

[facebook.com/Heatilator](https://www.facebook.com/Heatilator)
twitter.com/Heatilator
[youtube.com/HeatilatorFireplaces](https://www.youtube.com/HeatilatorFireplaces)

HTL-1068U-0613

Limited Lifetime Warranty*

The strongest in the industry, Heatilator provides a limited lifetime warranty on gas-burning products of the most important aspects: firebox and heat exchanger.

*For full warranty details go to heatilator.com.

The information provided in this literature is for planning purposes only and subject to change. Please consult the installation manual for actual installation. Actual product appearance may differ from product images.

Fireplace glass and other surfaces get extremely HOT and can cause severe burns if touched. Do not remove the protective safety screen from the front of the glass. Keep a safe distance away. To learn more visit: www.heatilator.com/fireplacesafety.

Canada

ENERGUIDE

Look for the **EnerGuide**
Gas Fireplace Energy
Efficiency Rating in this brochure

Based on CSA P.4.1-02

