

heatilator[®]

The first name in fireplaces



Crave Series

Direct Vent Gas Fireplaces



Crave 72

modern luxury
in 36, 48, 60
and 72 inches

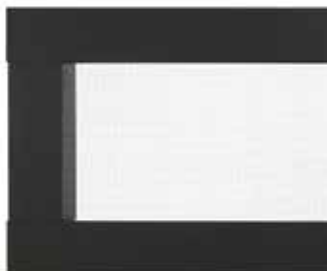
The Crave provides modern luxury at an affordable price. Multiple upgrade options let you accent your style and personalize your look. It's an easy choice. Modern luxury, backed by the #1 preferred brand by builders.

Features

- Clean face trim provides beautiful flush-to-the-wall finish
- Luxurious crystal glass
- Full featured RC300 remote control
- Industry leading end-to-end flame technology
- Enhanced safety of IntelliFire™ Plus and Direct Vent technology
- Define your design with four sizes and multiple customization options
- Up to 58,000 BTUs
- Available in 36, 48, 60 and 72-inch models

Options

Fronts



Four Square*



Illusion*



Clean Face



Top View

Finishes



Black



Bronze

Interiors



Crystal Glass



Ebony Glass



Cobalt Glass



Amber Glass



Red Glass



Natural Log Set
(Requires glass media)

Lighting



With Lighting



Without Lighting

Reflective Liner



A fade-resistant black glass liner multiplies the flames and adds intensity to the fire

Control



IntelliFire Plus RC300

Thermostat mode, timer mode, room temperature readout, two additional auxiliary functions, wall docking station, pilot activation, automatic battery backup, 5-step flame height, child lock, fan speed, on/off

Cover: Crave6048 See-through shown with Illusion front in bronze, lighting, amber glass and logs

Left: Crave8472 See-through shown with Clean Face front in black, cobalt glass media

* Four Square and Illusion fronts not available for Crave 72-inch.



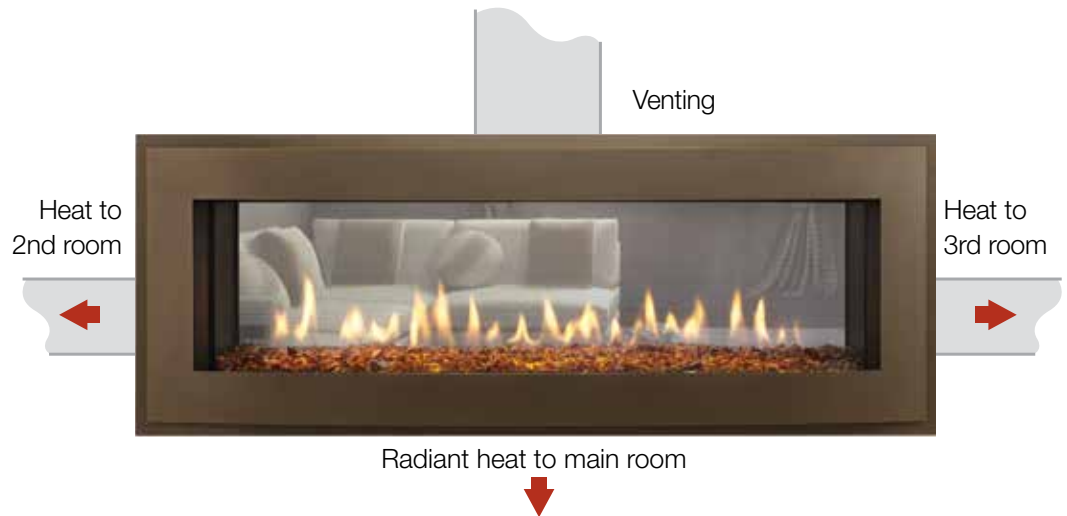
Crave 60



Technology

Heat Zone Technology

Draw heat from the Crave into another room of the home, up to 20 feet away. When a heat zone kit is run continuously, it can redirect up to 25% of the heat produced to another area. Two heat zone kits can be run together to redirect up to 50% of the total heat output.



IntelliFire™ Plus Ignition System

The IntelliFire™ Plus Ignition System (IPI Plus) is an advanced intermittent pilot ignition system with memory settings and a programmable wireless control. IPI Plus constantly monitors ignition, ensures safe functioning and conserves up to \$10/month in energy costs. To learn more, visit heatilator.com.

Direct Vent Technology

Direct Vent fireplaces remove 100% of combustion exhaust and odors outside of the home. These sealed fireplaces provide optimal heat, conserve energy and ensure clean, safe indoor air quality. To learn more, visit heatilator.com.

Left: Crave7260 shown with Clean Face front in black, crystal glass, lighting and reflective liner
Above: Crave6048 See-through shown with Illusion front in bronze and amber glass media.

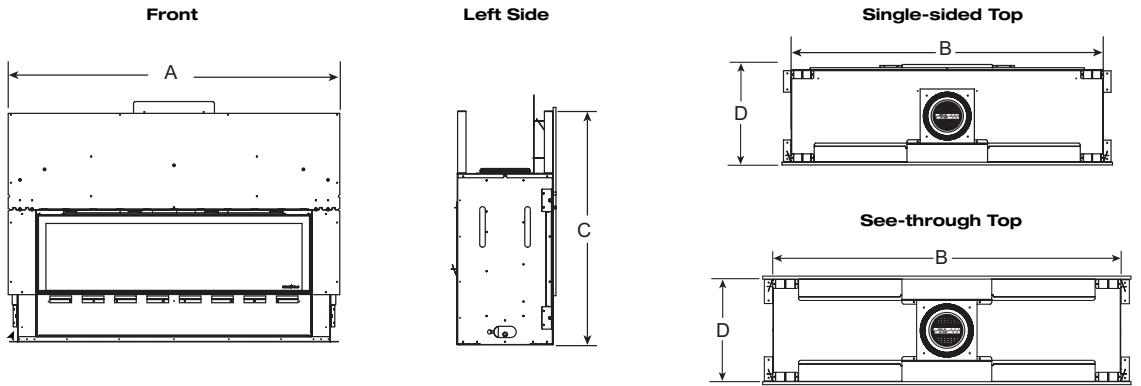


Crave 36



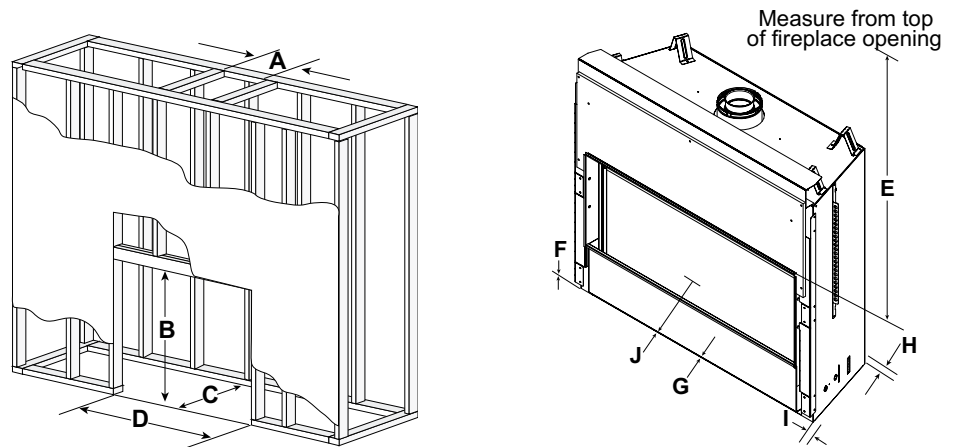
Specifications

MODEL	FRONT WIDTH (A)	BACK WIDTH (B)	HEIGHT (C)	DEPTH (D)	GLASS SIZE	BTU/HR INPUT(NG)
CRAVE4836, CRAVE4836ST	46-3/16" [1173]	46-3/16" [1173]	41-3/4" [1060]	17-1/8" [435]	35-1/2" x 12-1/2" [902 x 318]	17,500 - 30,000 (NG) 15,500 - 29,000 (LP)
CRAVE6048, CRAVE6048ST	58" [1473]	58" [1473]	41-3/4" [1060]	17-1/8" [435]	47-1/2" x 12-1/2" [1207 x 318]	21,000 - 40,000 (NG) 19,500 - 40,000 (LP)
CRAVE7260, CRAVE7260ST	70" [1778]	70" [1778]	47-3/4" [1213]	17-1/8" [435]	59-1/2" x 12-1/2" [1511 x 318]	26,000 - 50,000 (NG) 22,000 - 41,000 (LP)
CRAVE8472, CRAVE8472ST	82" [2083]	82" [2083]	47-3/4" [1213]	17-1/8" [435]	71-1/2" x 12-1/2" [1861 x 318]	30,000 - 58,000 (NG) 24,000 - 46,000 (LP)



Framing Dimensions

MODEL	A ROUGH OPENING (VENT PIPE)	B ROUGH OPENING (HEIGHT)	C ROUGH OPENING (DEPTH)	D ROUGH OPENING (WIDTH)	E CLEAR- ANCE TO CEILING	F COMBUSTIBLE FLOOR	G COMBUSTIBLE FLOORING	H BEHIND APPLIANCE	I SIDES OF APPLIANCE	J FRONT OF APPLIANCE
CRAVE4836, CRAVE4836ST	10" [254]	42" [1067]	18-1/4" [464] ST: 17" [432]	48-1/4" [1226]	31" [787]	0" [0]	0" [0]	1" [25]	1" [25]	48" [1219]
CRAVE6048, CRAVE6048ST	10" [254]	42" [1067]	18-1/4" [464] ST: 17" [432]	60-1/4" [1530]	31" [787]	0" [0]	0" [0]	1" [25]	1" [25]	48" [1219]
CRAVE7260, CRAVE7260ST	10" [254]	48" [1219]	18-1/4" [464] ST: 17" [432]	72-1/4" [1835]	31" [787]	0" [0]	0" [0]	1" [25]	1" [25]	48" [1219]
CRAVE8472, CRAVE8472ST	10" [254]	48" [1219]	18-1/4" [464] ST: 17" [432]	84-1/4" [2140]	31" [787]	0" [0]	0" [0]	1" [25]	1" [25]	48" [1219]



The rough framing dimensions shown represent the distance from stud to stud only and do not take into consideration the addition of drywall. Please refer to installation instructions for complete specifications and drawings when installing this product. Go to heatlitor.com to download.

For product-specific clearance dimensions, please visit heatlitor.com.

Left: Crave4836 shown with Four Square front in black and ebony glass media



Efficiency Ratings

Rating	Steady State	AFUE	EnerGuide (CSA P.4.1-02)
CRAVE4836	49.2% (NG), 49.2% (LP)	44.1% (NG), 48.5% (LP)	47.8% (NG), 50.8% (LP)
CRAVE4836ST	49.3% (NG), 49.3% (LP)	39.7% (NG), 49.3% (LP)	45.9% (NG), 50.1% (LP)
CRAVE6048	57.2% (NG), 57.2% (LP)	46.4% (NG), 56.1% (LP)	53.2% (NG), 56.3% (LP)
CRAVE6048ST	58.3% (NG), 58.3% (LP)	48.3% (NG), 57.3% (LP)	51.3% (NG), 57% (LP)
CRAVE7260	63% (NG), 64.1% (LP)	58% (NG), 59.7% (LP)	52.6% (NG), 52.2% (LP)
CRAVE7260ST	66.3% (NG), 67.7% (LP)	61.1% (NG), 63.3% (LP)	57.4% (NG), 56.1% (LP)
CRAVE8472	61.3% (NG), 63.1% (LP)	56.6% (NG), 59% (LP)	51.3% (NG), 49.9% (LP)
CRAVE8472ST	67.3% (NG), 69.3% (LP)	62.4% (NG), 65.1% (LP)	55.9% (NG), 57.7% (LP)

Steady State - Since most homeowners use their fireplaces for an extended time while they are in the room, Steady State measures how efficiently your fireplace converts fuel to heat once it is warmed up and running in a "steady state."

AFUE - AFUE rating is more typically used with appliances, like your furnace, that continually cycle on and off to maintain a constant temperature.

EnerGuide (CSA P.4.1-02) - Used in Canada and some U.S. states to measure annual fireplace efficiency.



Right: Crave6048 See-through shown with Clean Face front in black and ebony glass media

Exceptional Value + Dependability



Why do contractors, architects and homebuyers trust Heatilator? Because we mix value with dependability. Established in 1927, Heatilator has built a long standing reputation for providing quality, dependable hearth products at unbeatable values. Today, Heatilator remains the most preferred, recommended and installed fireplace brand among building professionals.

Available from

heatilator
The first name in fireplaces

800-927-6841 | heatilator.com

[facebook.com/Heatilator](https://www.facebook.com/Heatilator)

twitter.com/Heatilator

[youtube.com/HeatilatorFireplaces](https://www.youtube.com/HeatilatorFireplaces)

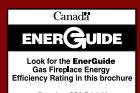
Limited Lifetime Warranty¹

The strongest in the industry, Heatilator provides a limited lifetime warranty on gas-burning products of the most important aspects: firebox and heat exchanger.

¹ For full warranty details go to heatilator.com.

The information provided in this literature is for planning purposes only and subject to change. Please consult the installation manual for actual installation. Actual product appearance may differ from product images.

Fireplace glass and other surfaces get extremely HOT and can cause severe burns if touched. Do not remove the protective safety screen from the front of the glass. Keep a safe distance away. To learn more visit www.heatilator.com/fireplacesafety.



HTL-1091U-0616